

Accemle the rest of the model  
according Tamiya kit's manual.



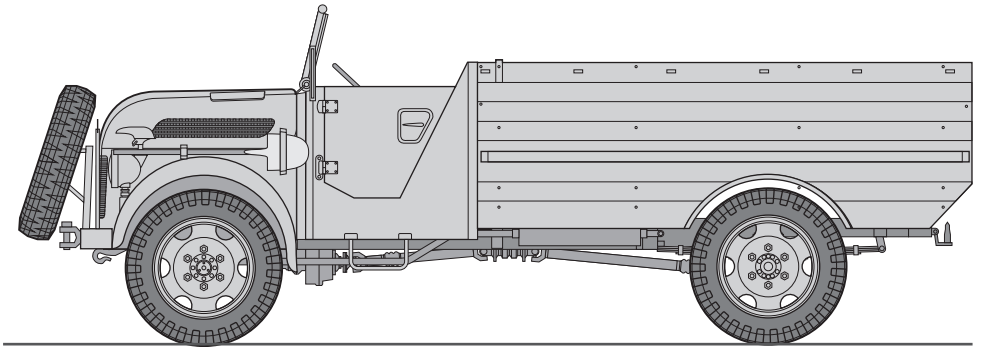
WWW.LEADWARRIOR.COM  
INFO@LEADWARRIOR.COM  
Ebay: LEADWARRIOR

## STEYR Type 1500A L.gl.Lkw Light Army Truck (Late Version)

### 1:35 CONVERSION KIT

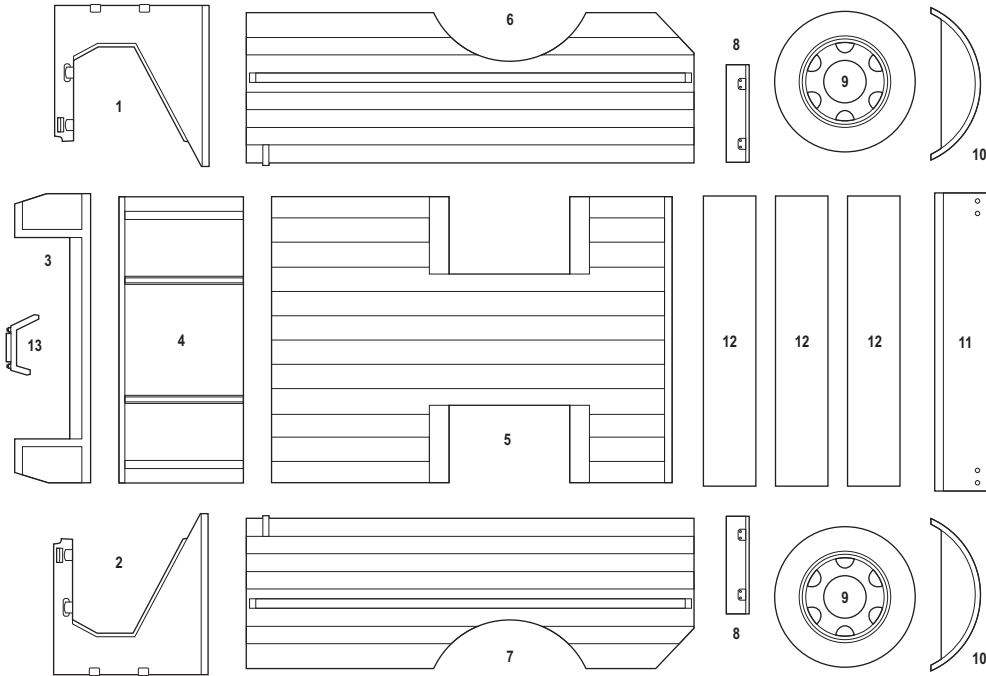
For TAMIYA Steyr Type 1500A/01 ( Kit # 35225 )

18 RESIN PARTS



Austria's all-wheel drive Steyr 1500 was one of the many personnel/transport vehicles designed to meet the Wehrmacht's requirement for a standard 1,5 ton truck. Presented in 1941, the Steyr was used as a transport in all theaters. A total of more than 20,000 were built, in a wide range of variants. Tamiya offers the Kubelwagen and command versions. The chassis of the Steyr 1500A and its reinforced variant, the Steyr 2000A were also used for fire trucks, omnibuses (Leadwarrrior kit [Lw35026](#)), ambulances (Leadwarrrior kit [Lw35025](#)), a universal Funk-Koffer, or radio vehicle, and different types of cargo carriers with open metal or wooden cabins. In addition to these types, there were tests into using trucks with railway drive (Leadwarrrior kit [Lw35028](#)).

The mid-war cargo truck variants of Steyr 1500A had metal cabins (Leadwarrrior kits [Lw35024](#), [Lw35027](#)), although these were later replaced with a wooden Einheitsfahrerhaus, or standard series driver's compartment. This conversion kit presents the latest version of a l.gl.Lkw, light cross country transport, on a Steyr 1500A chassis. The metal cargo bed of the basic version was replaced by a wooden one, and it could transport cargo or 10 men. The rear wheels could be doubled, with the spare tire often mounted in front of the engine compartment.



Cut / Remove part

Repeat on mirror side

Optional

Repeat several times

**STUDY THE INSTRUCTION CAREFULLY BEFORE ASSEMBLING.  
TEST FIT PARTS TOGETHER BEFORE CEMENTING.  
USE CYANOACRYLATE GLUE FOR METAL AND RESIN PARTS.**

