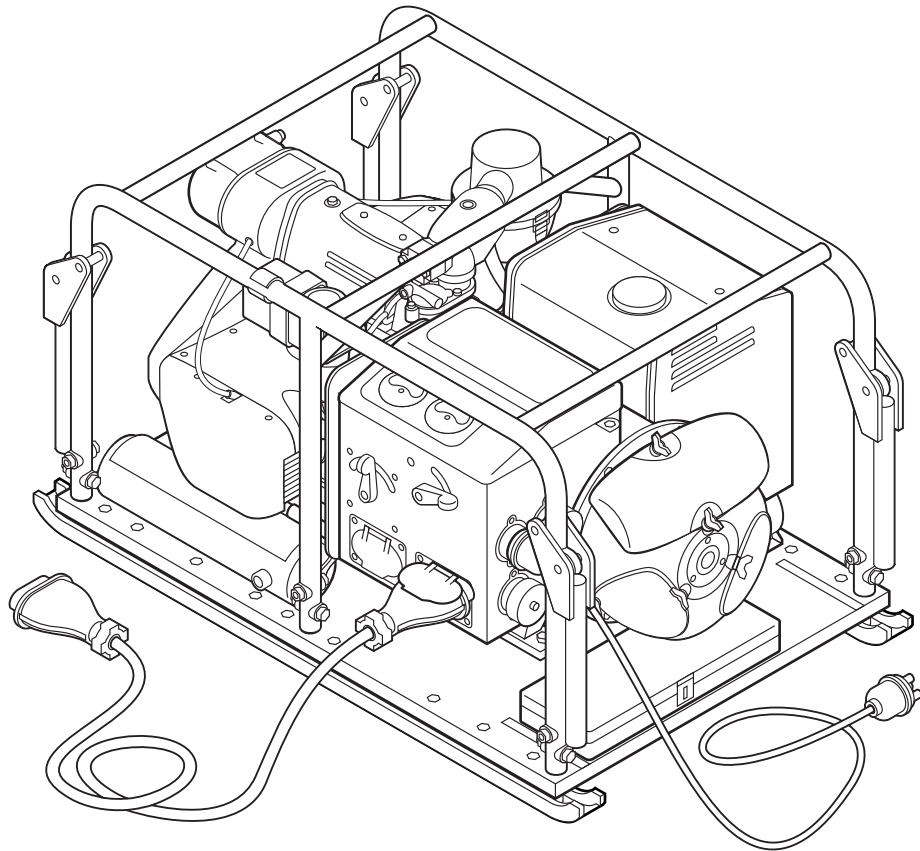




ZUNDAPP
7,5 kVA GENERATOR



SEE PHOTOS AT www.leadwarrior.com/Lw35209-h.htm FOR PAINTING AND WIRING REFERENCE

LW 35209

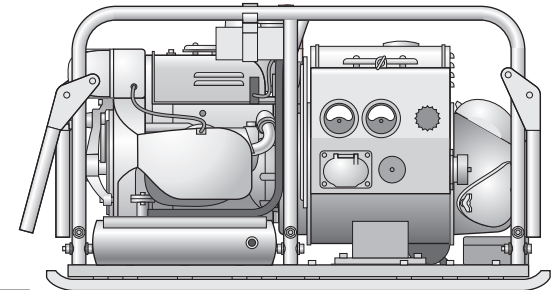


LEADWARRIOR
HISTORICAL MINIATURE

Zündapp Stromaggregat

Drehstrom-Generator
220/380 V; 11,4 A
Antrieb durch den
Zündapp-Motor der KS600

WWW.LEADWARRIOR.COM
INFO@LEADWARRIOR.COM
Ebay: LEADWARRIOR



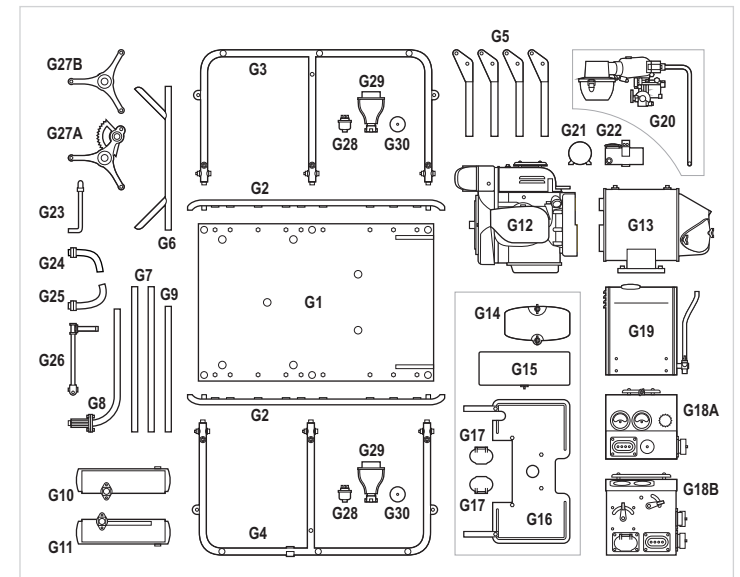
GERMAN WWII 7,5kVA GENERATOR

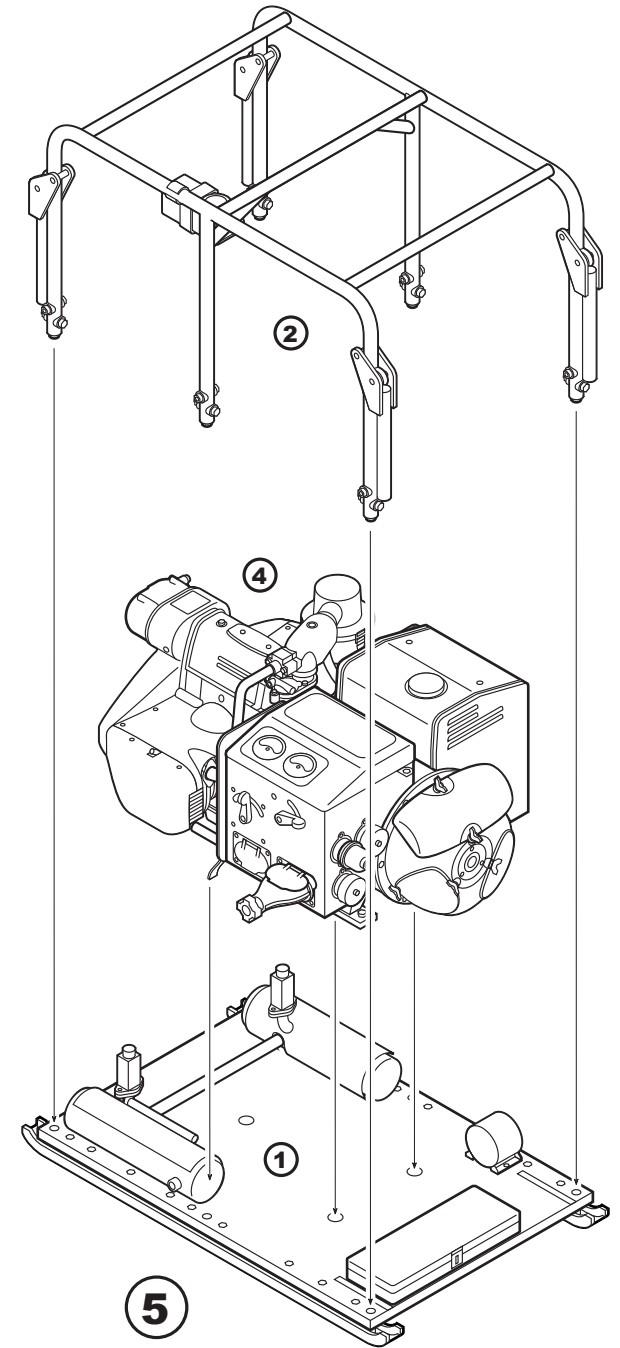
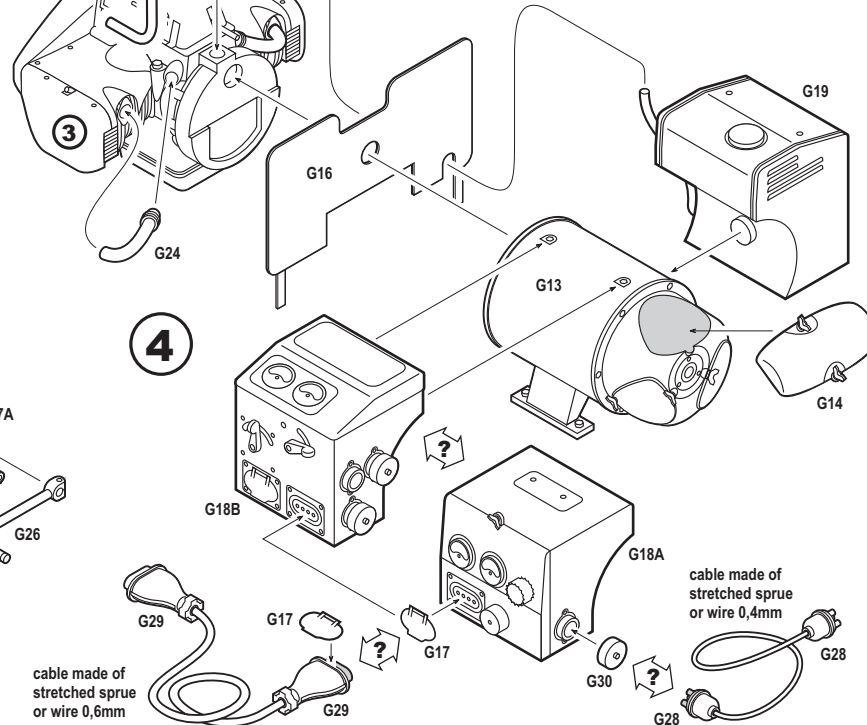
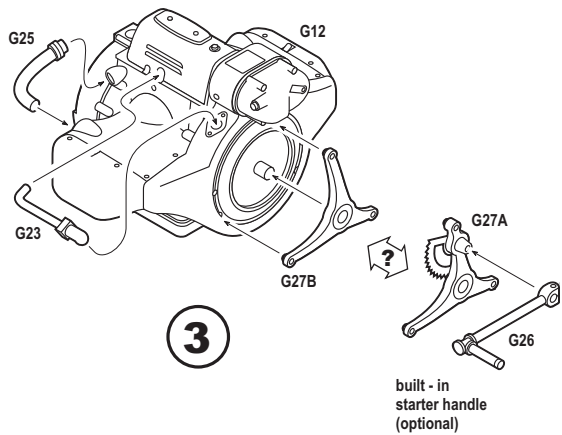
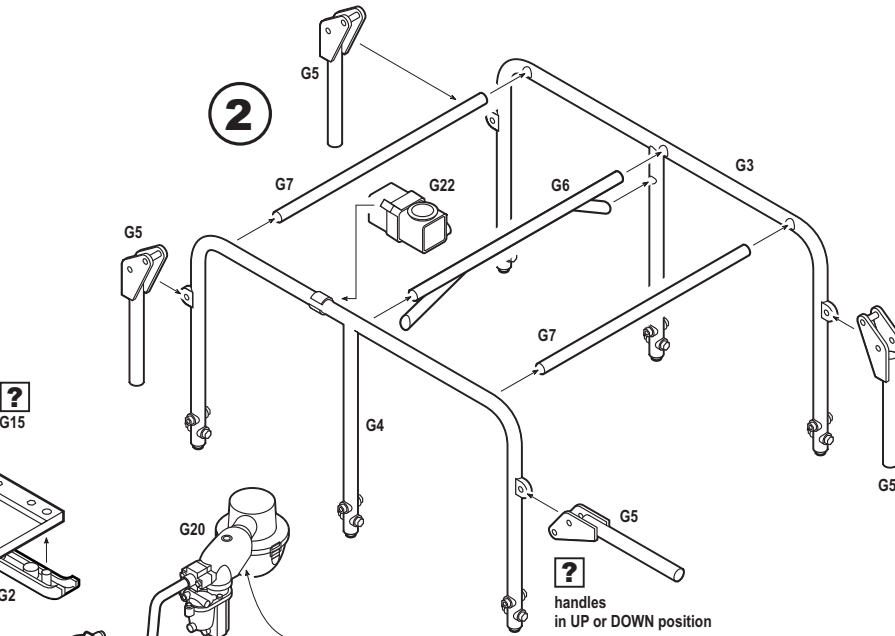
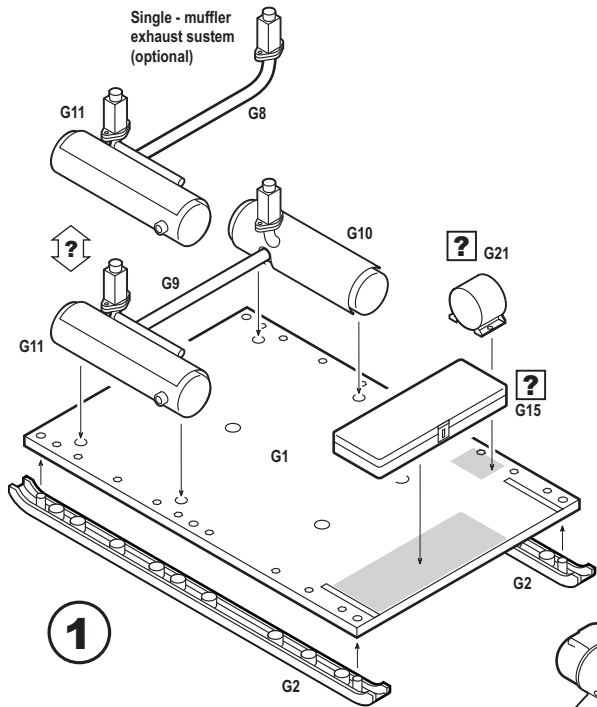
This 7,5 kVA field electric generator (Stromaggregat) was widely used in German army during WWII. It was used to deliver 3-phase 380/220 V, 11.4 A current to power up any kind of field installations - command, medical and radio posts, camps, workshops etc. Thanks to its reliability and automated control system, this particular generator was also widely used as a backup power unit in the industrial or civilian facilities, such as factory lines, hospitals, bomb bunkers and alike.

Despite its quite high power of 7,5 kVa, this generator had a reasonable weight of about 300 Kg., so it could be handled by four men (four foldable handles were provided for that). Once unloaded from a truck or a trailer, this device was very compact. The Zündapp KS600 (model 1938) motorcycle 2-stroke, 2-cylinder, 28 hp, air-cooled engine was utilized to rotate the 3-phase generator and the centrifugal fan, which was included in the shell cover to deliver airflow to the cylinders. The Solex carburettor was controlled by the pneumo-hydraulic automatics for optimal fuel consumption.

COMPLETE RESIN KIT

40 RESIN PARTS





? - Optional

cable made of stretched sprue or wire 0,6mm

cable made of stretched sprue or wire 0,4mm