



WWW.LEADWARRIOR.COM
 INFO@LEADWARRIOR.COM
 Ebay: LEADWARRIOR

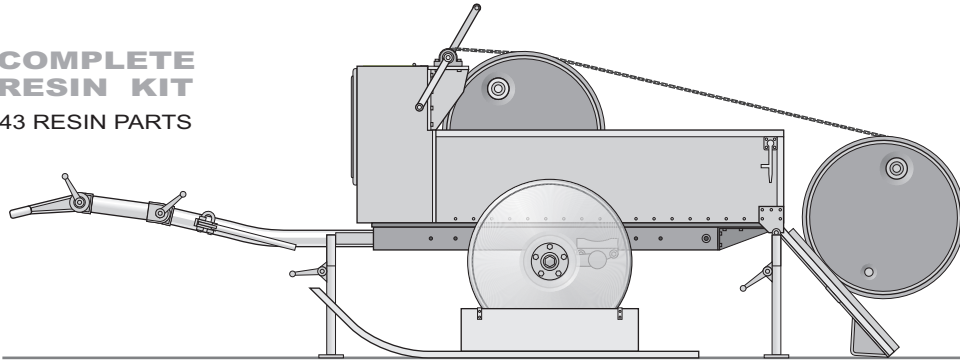
FASSTRANSPORTANHÄNGER

auf Anhangerfahrgestell A1

STEEL DRUMS TRANSPORTER

LUFTWAFFE

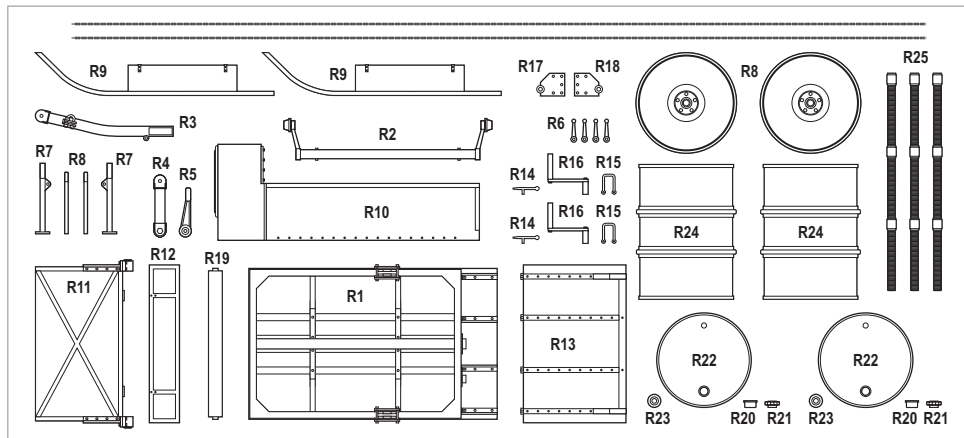
COMPLETE
 RESIN KIT
 43 RESIN PARTS



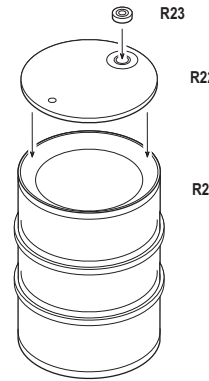
Anhangerfahrgestell A1 - the Type A1 single-axle light trailer chassis - had been designed for Luftwaffe before the war. It had a weight of 140 kg, and payload of 610 kg (750 kg - for type A1B), and was to be towed by light motor vehicles, or even by men power. The construction was very simple and reliable, so the A1 was used as chassis for many superstructures and auxiliary trailers.

One of them was the Fasstransportanhänger - the trailer for transportation of a pair of steel drums, which could be the standard 200L. (55 gal.) fuel drums, or 300L. (85 gal.) salvage / waste drums. This trailer had a hand-driven winch for unloading of the drums.

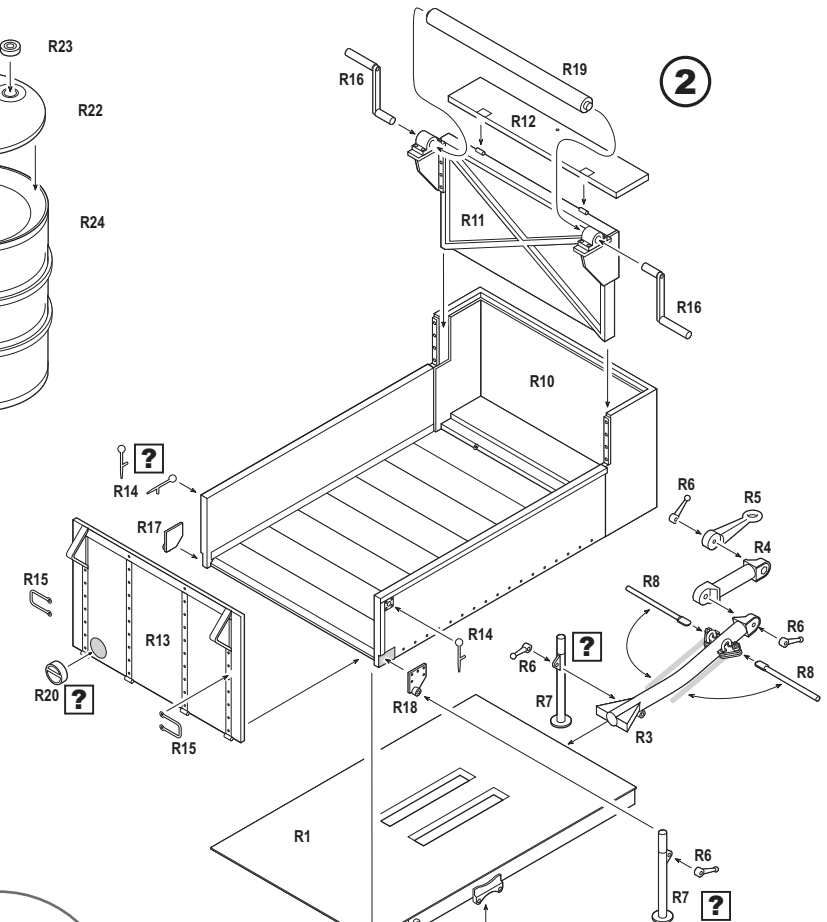
This kit presents the Fasstransportanhänger with the Eisenrad (700mm. Steel Wheels), and the Schneekufen (Snow Skids). Also, this kit includes a pair of 300L. drums, and a hose.



1



2



3

